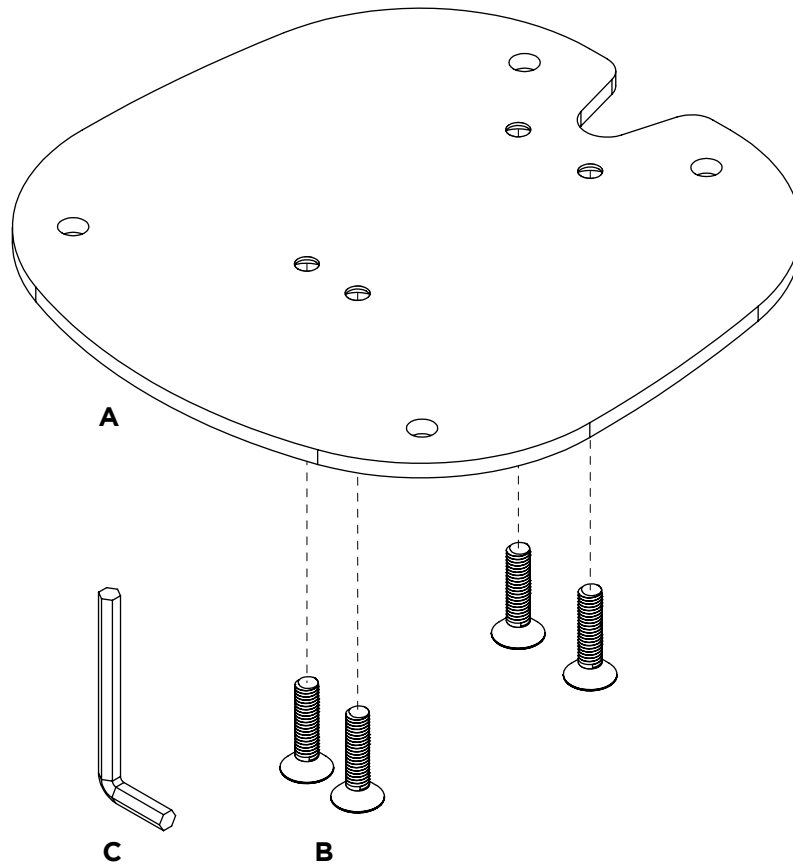


Fixed Floor Base



COMPONENT CHECKLIST

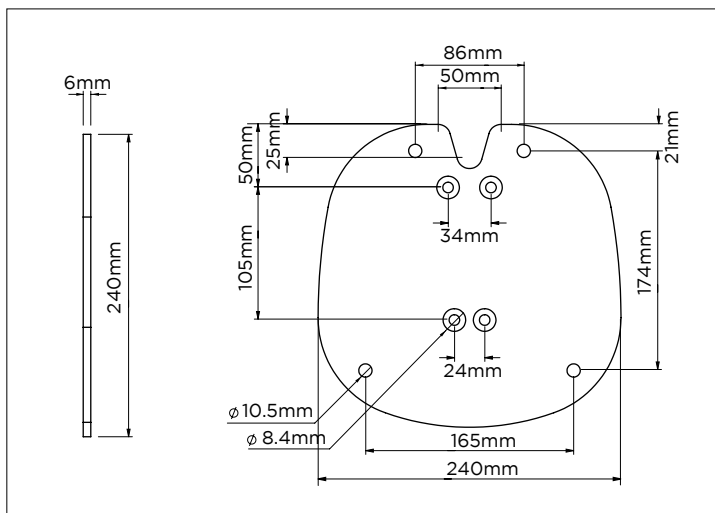
| Item | Name | QTY |
|------|-----------------------------|-----|
| A | Floor Plate | 1 |
| B | M8 x 35mm Countersunk Screw | 4 |
| C | 5mm Hex Key | 1 |

Note: Floor fixings are not included. Installer should ensure ground anchor fixings used are suitable for installation.



200kg

PRODUCT DIMENSIONS



! IMPORTANT

No more than 100kg should be mounted above 1.2m on a single column.

