

# Installation Instructions

# telehook

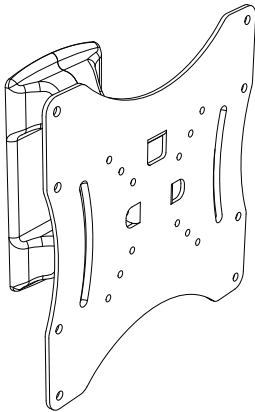
Flat Screen Wall Mount | Tilt

## IMPORTANT INFORMATION

**! IMPORTANT - Install Telehook Wall Mount as per Installation Instructions.**

- ! Telehook Wall Mount supports Displays weighing up to 30kg (66lbs), with VESA hole configurations: 50x50mm, 75x75mm, 100x100mm, 200x100mm, 200x200mm.
- ! The Manufacturer accepts no responsibility for incorrect installation.

## Component Checklist

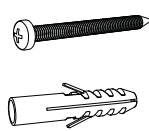


TH-2250-VTP  
(fully assembled)

**TOOLS REQUIRED:**

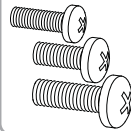
- Power Drill
- Phillips Head Screw Driver
- 4mm (3/16") Drill Bit
- 8mm (5/16") Masonry Drill Bit

**Hardware**



- [A] Wall Mount Screw (x2)
- [B] Nylon Anchor (x2)
- [C] M4 Washer (x4)
- [D] M5 Washer (x4)
- [E] M6 Washer (x4)

**Mounting Fasteners**

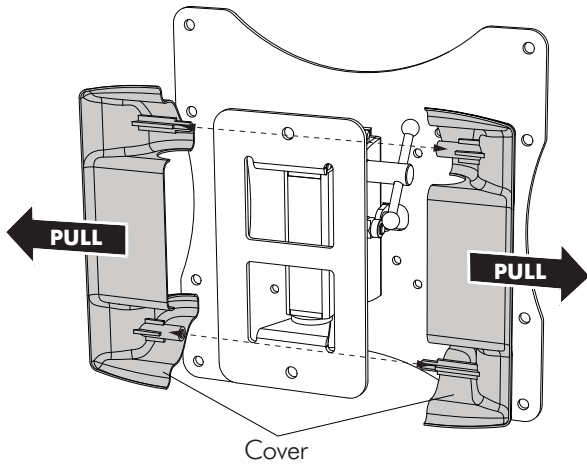


- [F] M4x8mm / [G] M4x12mm (x4 each)
- [H] M5x8mm / [I] M5x12mm (x4 each)
- [J] M6x8mm / [K] M6x12mm (x4 each)

## Step 1. Component Checklist

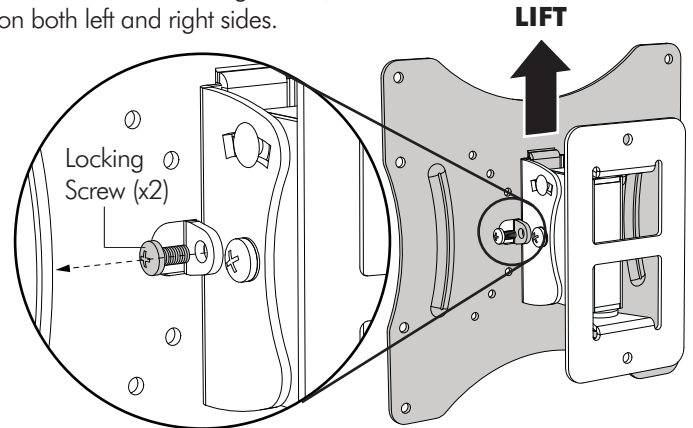
Check you have received all parts against the Component Checklist above.

## Step 2. Remove the Wall Bracket Cover



## Step 3. Remove the Mounting Plate

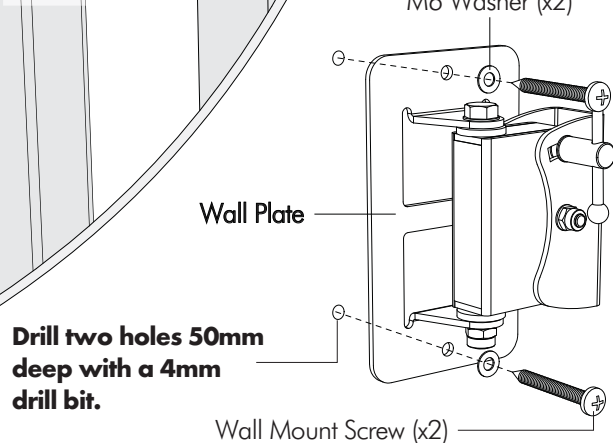
Remove the two Locking Screws, on both left and right sides.



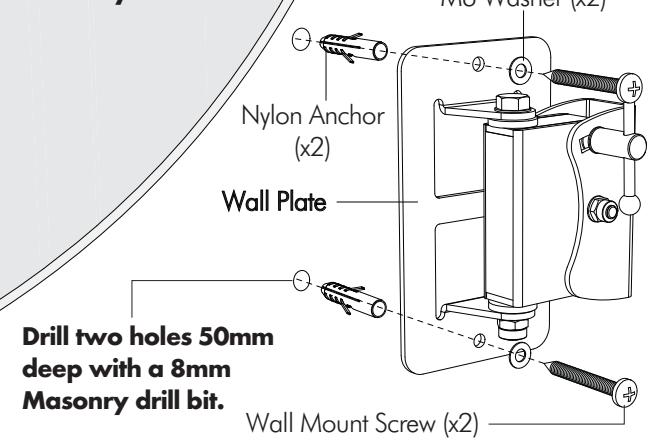
## Step 4. Fix the Wall Bracket to the Wall

Using the Wall Plate as a drilling template, choose from one of the following Mounting options, **Timber Stud OR Masonry Wall.**

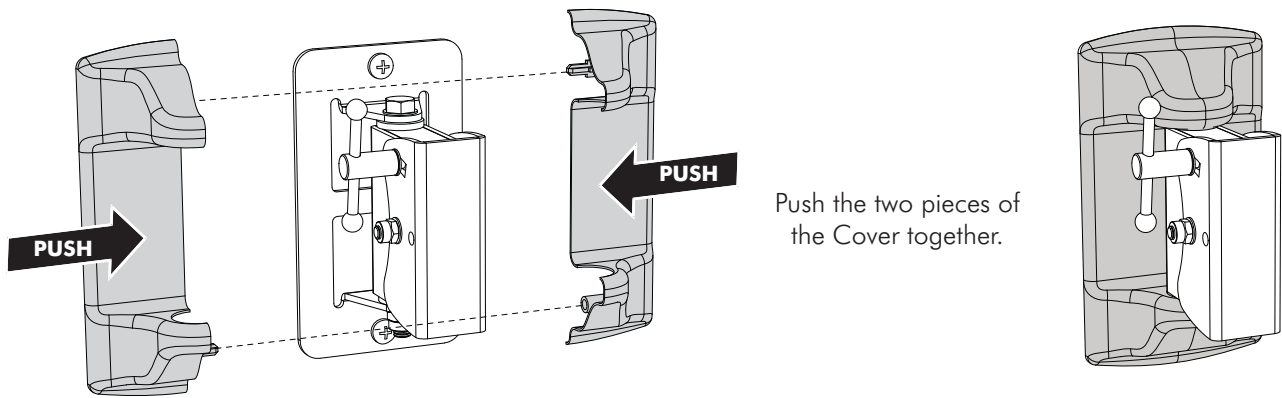
### Timber Stud



### Masonry Wall

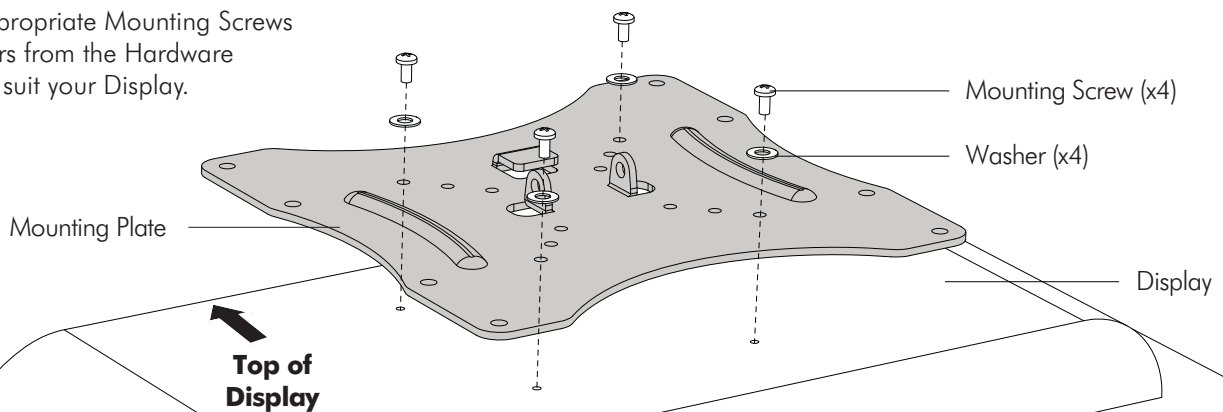


### Step 5. Reinstall Wall Bracket Cover



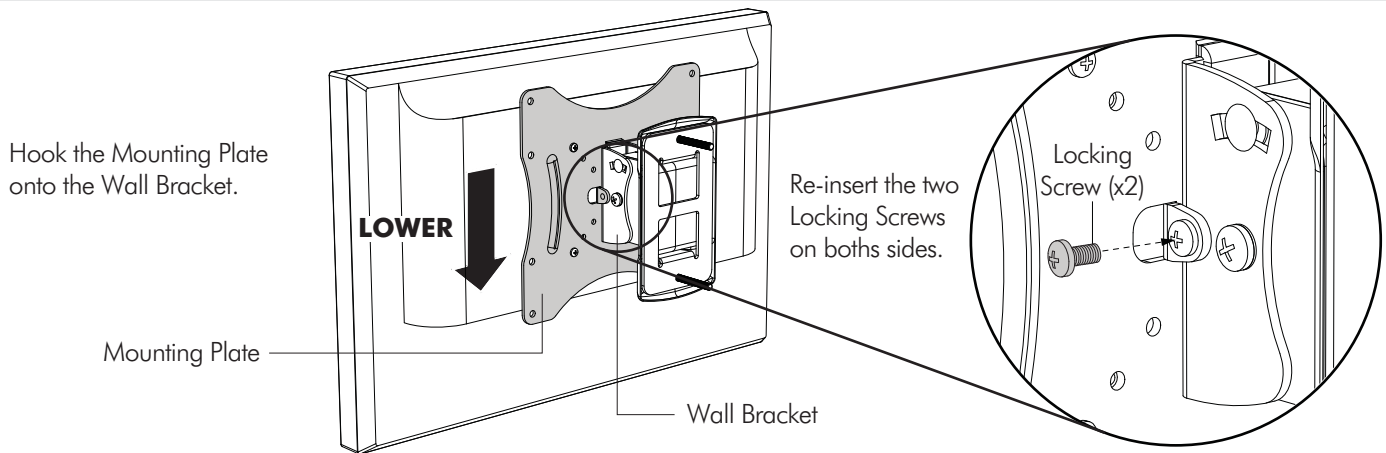
### Step 6. Fasten the Mounting Plate to your Display

Choose appropriate Mounting Screws and Washers from the Hardware supplied to suit your Display.

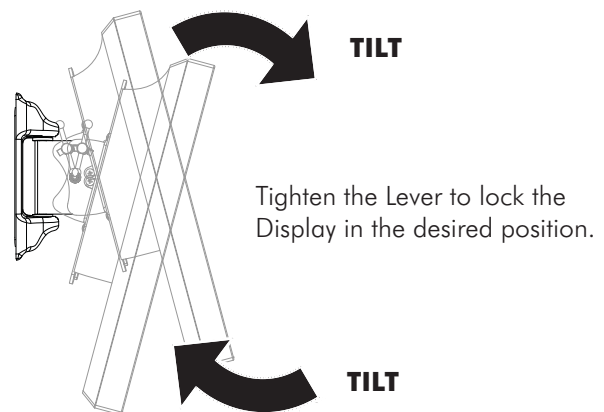
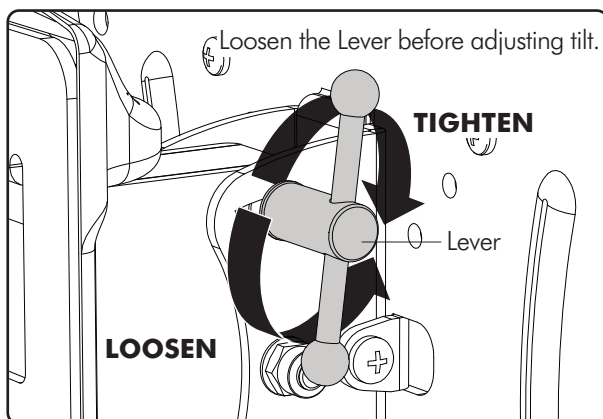


### Step 7. Attach the Display to the Wall

( 2 required )



### Step 8. Tilt Adjustment



**Installation Complete**

