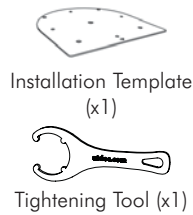
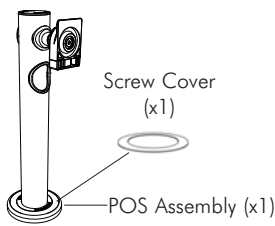


Installation Instructions

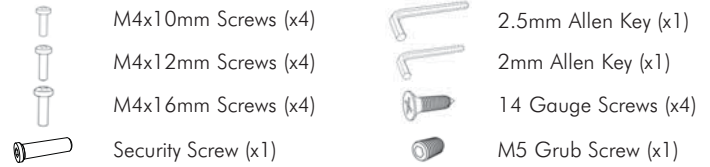
spacedec

Display | POS Multi

Component Checklist (Check you have received all parts against the Component Checklist below)



Hardware

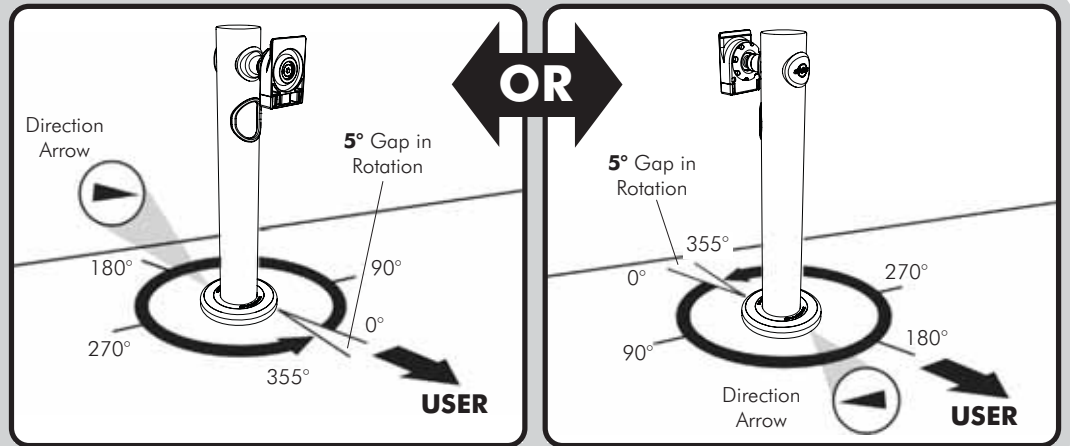


Mounting Options

Your POS Multi offers 355° of Rotation. This can also be limited to suit a specific application. The Direction in which you mount POS Multi will determine where the 5° gap in Rotation is located, and how you choose to limit the rotation.

Rotation Options

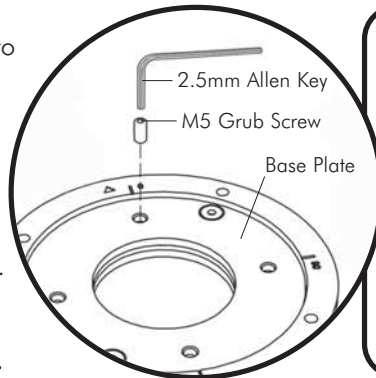
- 0° Rotation (Fixed)
- 0-90° Rotation
- 0-180° Rotation
- 0-270° Rotation
- 0-355° Rotation



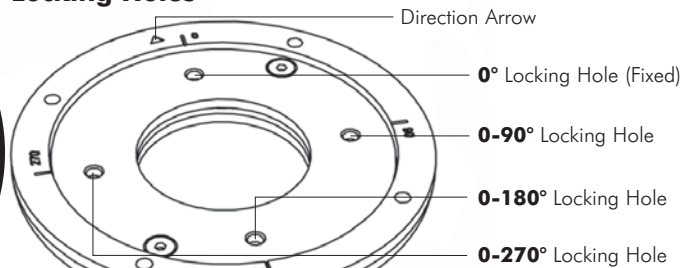
Step 1. Limit Rotation

A. Determine the degree of rotation you require. (Refer to Mounting Options above)

B. To Limit the Rotation, use the 2.5mm Allen Key to insert the supplied M5 Grub Screw into your chosen Locking Hole until it sits flush with the Base Plate.
NOTE: If you want the full 355° rotation, you do NOT need to install a grub screw.



Locking Holes

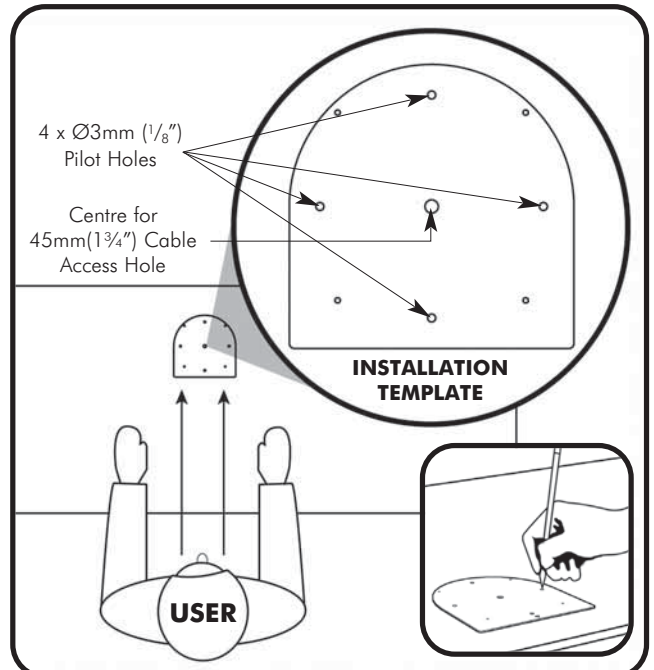
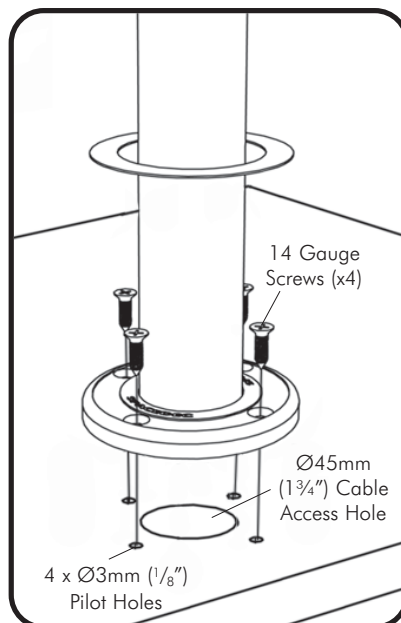


Step 2. Locate and Secure your POS Multi

A. Position the Installation Template in the desired location on your work surface. Ensure the straight edge sits perpendicular with the User's line of sight. Mark the center points of each of the required holes onto the work surface with a pencil.

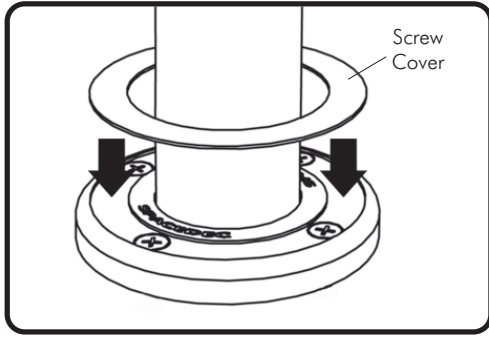
B. Drill 4 x 3mm (1/8") Pilot Holes to a depth of 15mm (9/16"). Use a 45mm (1 3/4") hole saw to drill the Cable Access Hole in the work surface.

C. Reposition POS Multi with the "Direction Arrow" pointing in the direction required for your chosen rotation. Secure the POS to the work surface using the supplied 14 Gauge Screws (x4).



Step 3. Attach Screw Cover

Remove the paper backing from the Screw Cover and adhere to the POS base as shown.

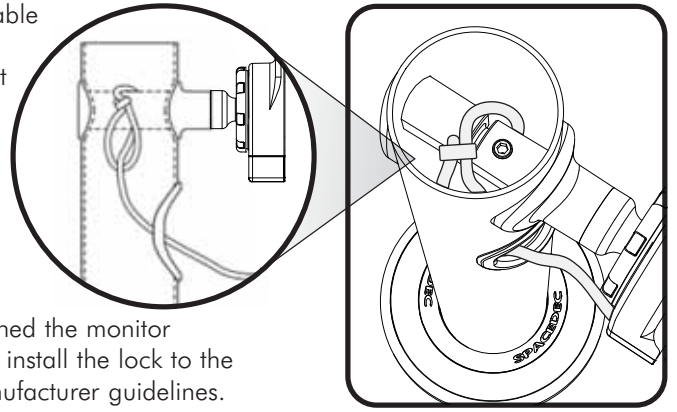


Step 4. (Optional) Install Monitor Security Cable (Security Cable NOT Included)

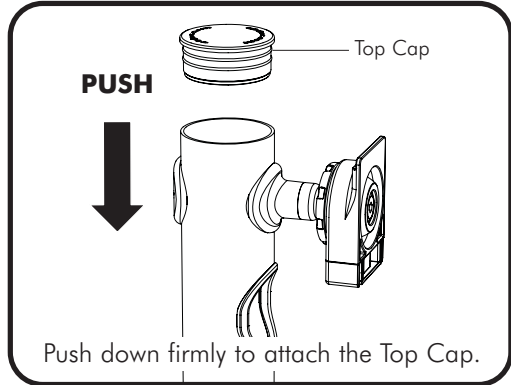
A. Loop the Security Cable (Kensington or similar) around the internal post of the POS Assembly.

B. Feed the other end of the cable through the POS Assembly and out the Cable Management Hole.

C. After you have attached the monitor (As directed in **Step 8**) install the lock to the monitor as per the manufacturer guidelines.



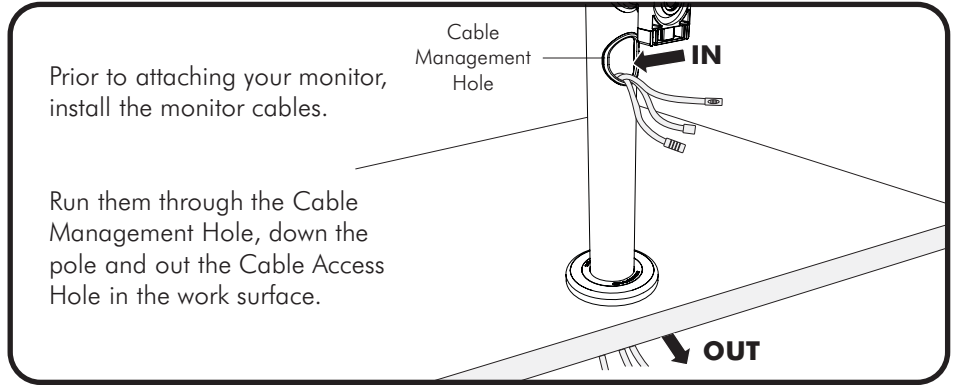
Step 5. Install Top Cap



Step 6. Install Monitor Cables

Prior to attaching your monitor, install the monitor cables.

Run them through the Cable Management Hole, down the pole and out the Cable Access Hole in the work surface.

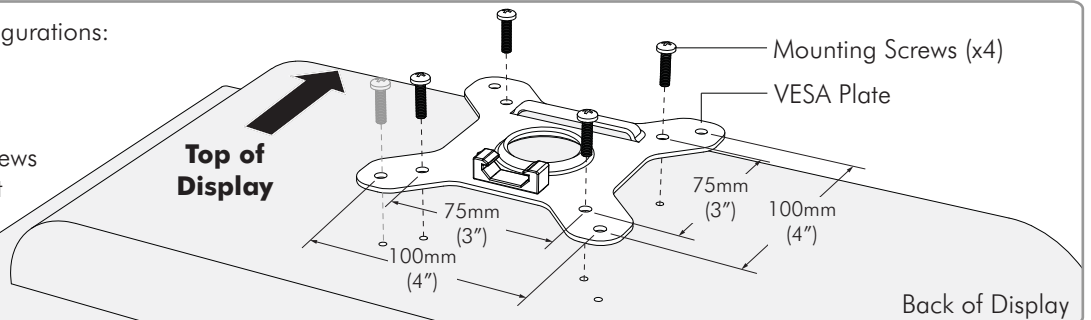


Step 7. Attach the VESA plate to your Display

There are two mounting hole configurations:

- 75 x 75mm
- 100 x 100mm

Choose appropriate Mounting Screws from the Hardware supplied to suit your Display.

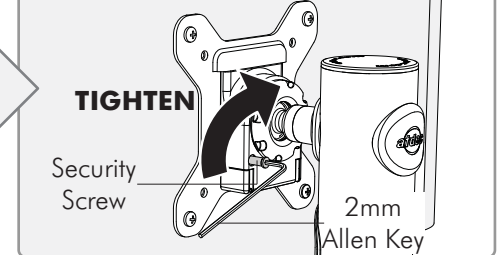
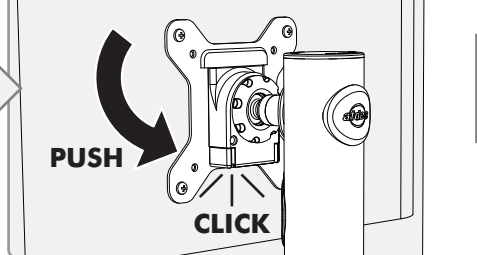
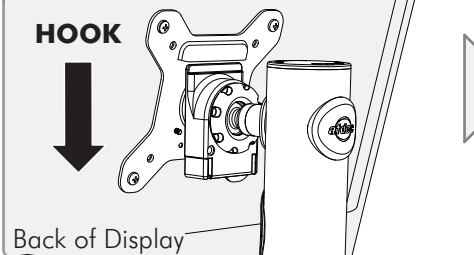


Step 8. Attach your Display to the POS Assembly

Hook the top of the VESA plate onto the Quickshift Mount.

Gently push the bottom of the Display into the Mount until you hear a 'CLICK'.

Insert the Security Screw, and tighten using the 2mm Allen Key supplied.

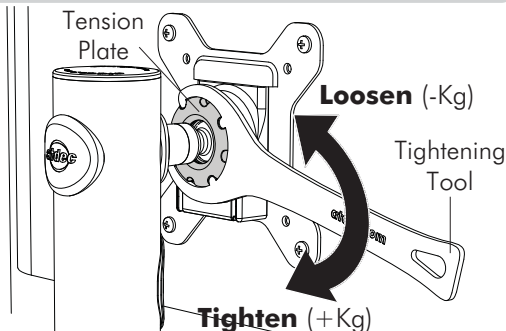


Step 9. Adjust the VESA Ball Mount

Position your Display to the desired viewing angle, using the 40° angular movement allowed by the VESA Ball Mount.

If the display does not hold its position, or is too resistant, adjust the Tension Plate (see diagram right).

To make any adjustments, use the Tightening Tool supplied.



Advanced Security Installation

These Installation Instructions secure the POS Multi using the provided fasteners from above the work surface.

For advanced Security Installation from below the work surface. Please refer to the *Advanced Security Installation Addendum*.

