



Manual Pull-Down Projection Screen  
**Manual Screen Series**

User's Guide



## Pre-Installation

1. Carefully unpack the screen.
2. Always handle the screen in a leveled position on a clean surface.
3. In order to protect the screen from exposure to stains, keep the screen out of contact with foreign objects such as dust, saw dust, and/or liquids.

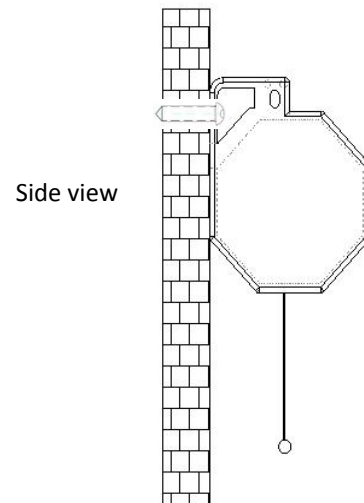
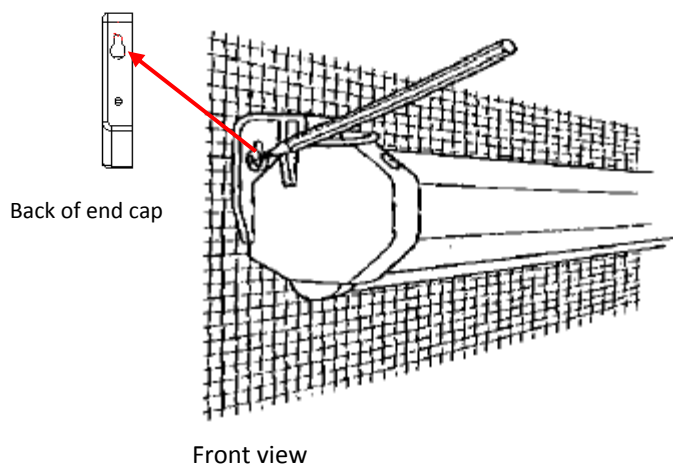
## NOTE

Regardless of the mounting method, the screen should be securely supported so that when retracted, deployed, or even abusive pulling on the screen, the case will not become loose or fall. The installer must insure that the fasteners used are of adequate strength and suitable for the installation location.

## Installation

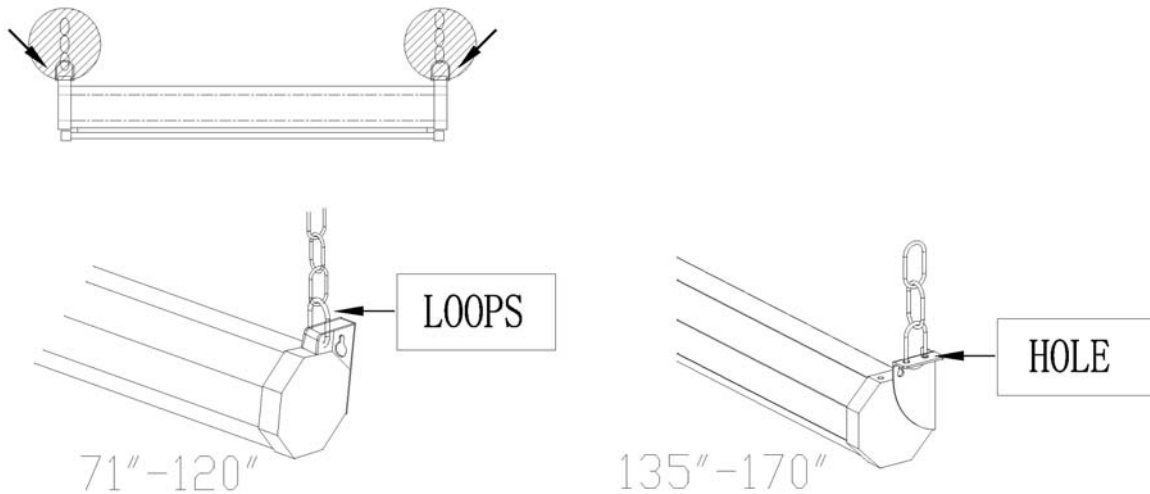
### Flush Mount to the Wall (Hardware not included)

1. Mark the location of where the screen is to be installed and drill your holes.
2. Insert the proper screw and leave about 1/8" of an inch from the wall to mount the screen.
3. Mount your screen from the keyhole located on back of the screen's left and right end cap.



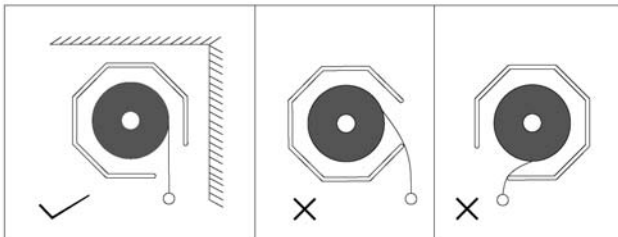
## Suspended Ceiling using Chains (Hardware not included)

You can also hang the screen on a ceiling by using a chain (not included) and hang it by the two loops (models 71-120) located on each end of the case or by the ears of the end caps (models 135-170).



## Screen Operation

Note: **Always** pull the screen down or retract in a 90-degree vertical angle. To avoid damaging the viewing surface, do not allow the viewing material to touch the screen case when deploying or retracting the unit.

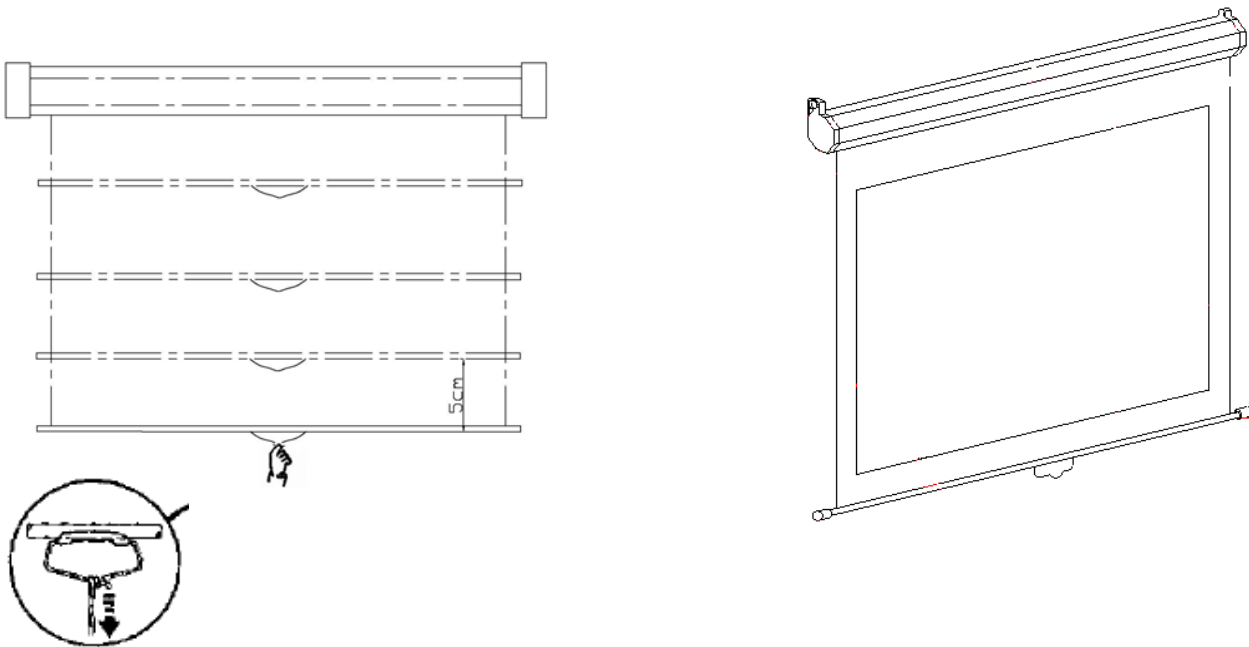


1. Pull the screen down from the lanyard or from the handle only in a 90-degree angle. Do not attempt to pull the screen down by the surface, as it will damage the screen and void the warranty.

*NOTE: The interval auto-lock mechanism system will cause the screen to stop and lock on the position at intervals*

2. To retract the screen back into its case, simply pull the screen down more than 2 inches and let the screen retract by quickly and gently releasing it up.

**Note: Always release the screen at a 90-degree angle and do not let go until the screen is entirely inside the case. Keep in mind the screen's mechanism is new and needs to be deployed/retracted a few times to loosen up. If the screen feels stuck, carefully, with a little force, yank the screen straight down to unlock the unit.**



*Note: Improper pulling on the screen to deploy/retract will damage material and/or the rolling system.*

## Maintenance

To clean the viewing material, use a soft cloth with mild soap and water. In order to keep the viewing surface clean, it is recommended to keep the screen retracted into its housing case when not in use.

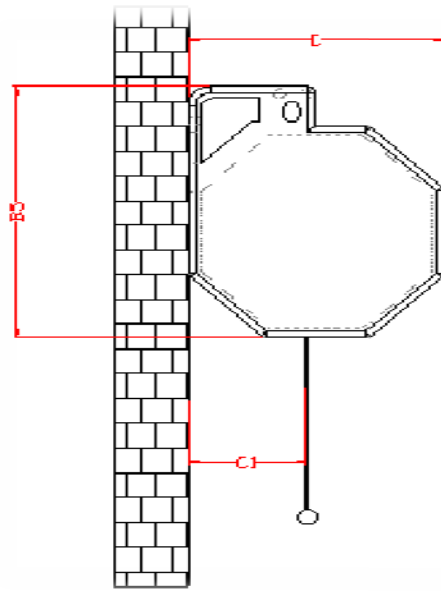
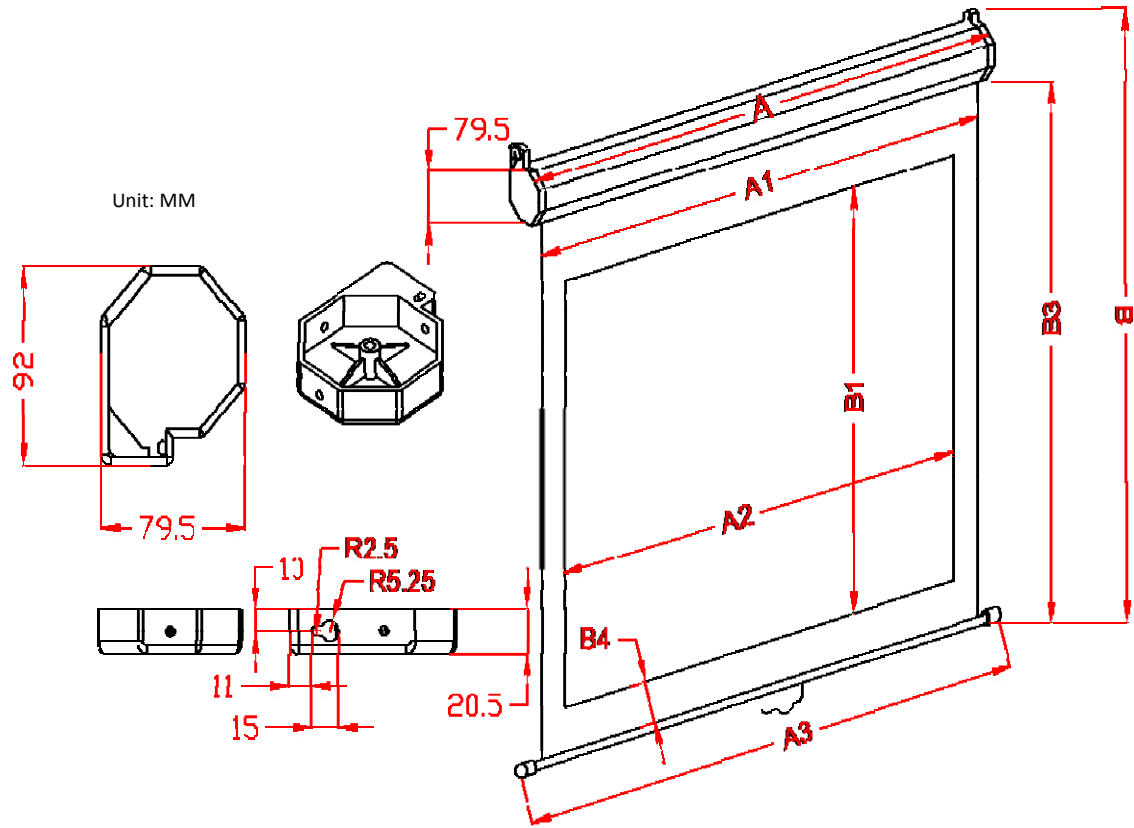
# Manual Series Dimension Table

Unit: mm													
Models	Diagonal Size/Aspect Ratio	Case Length (A)	Screen Width (A1)	View Width (A2)	Weight Bar Length (A3)	Bottom Edge Distance (B4)	Material to Weight Bar Height (B3)	View Height (B1)	Overall Height (B)	End cap Height (B5)	End cap Width (C)	Screen material to the wall (C1)	N.W. (KGS)
M80UWH	80"(16:9)	1933	1844	1768	1928	41	1181	1006	1247	81	69	20	3.1
M84UWH	84"(16:9)	2014	1936	1860	2010	62	1222	1046	1304	82	69	20	6.2
M84H-E30	84"(16:9)	2014	1936	1860	2010	62	1870	1046	1952	82	69	20	6.7
M92UWH	92"(16:9)	2166	2113	2037	2162	62	1322	1146	1404	82	69	20	7.1
M100H	100"(16:9)	2374	2290	2214	2370	62	1421	1245	1503	82	69	20	9.1
M100H-E24	100"(16:9)	2374	2290	2214	2370	62	1917	1245	1999	82	69	20	9.1
M106UWH	106"(16:9)	2506	2423	2347	2502	62	1496	1320	1588	92	80	20	9.4
M106UWH-E24	106"(16:9)	2506	2423	2347	2502	62	1992	1320	2084	92	80	20	9.5
M120H	120"(16:9)	2816	2733	2657	2812	62	1670	1494	1762	92	80	20	10.6
M120H-E24	120"(16:9)	2816	2733	2657	2812	62	2166	1494	2258	92	80	20	11.0
M135H	135"(16:9)	3148	3065	2989	3144	62	1857	1681	1962	105	88	20	14.1
M150H	150"(16:9)	3484	3397	3321	3480	62	2044	1868	2149	105	88	20	16.3
M80N WV	80"(4:3)	1786	1702	1626	1782	62	1395	1219	1477	82	69	20	5.6
M84N WV	84"(4:3)	1867	1783	1707	1863	62	1418	1280	1500	82	69	20	5.8
M100V	100"(4:3)	2166	2108	2032	2162	62	1700	1524	1782	82	69	20	7.5
M120V	120"(4:3)	2598	2514	2438	2594	62	2005	1829	2097	92	80	20	10.0
M135V	135"(4:3)	2907	2819	2743	2903	62	2233	2057	2338	105	88	20	14.2
M150V	150"(4:3)	3212	3124	3048	3208	62	2462	2286	2567	105	88	20	16.1
M71S	71"(1:1)	1425	1351	1275	1421	62	1451	1275	1533	82	69	20	4.6
M85S	85"(1:1)	1677	1603	1527	1673	62	1703	1527	1785	82	69	20	5.6
M99S	99"(1:1)	1938	1854	1778	1934	62	1916	1778	2008	92	80	20	7.6
M113S	113"(1:1)	2192	2106	2030	2188	62	2206	2030	2298	92	80	20	8.8
M119S	119"(1:1)	2294	2210	2134	2290	62	2300	2137	2392	92	80	20	9.5
M136S	136"(1:1)	2598	2519	2443	2594	62	2619	2443	2711	92	80	20	10.8
M170S	170"(1:1)	3244	3124	3048	3240	62	3224	3048	3329	105	88	20	16.2
M86UWX	86"(16:10)	2018	1928	1852	2014	62	1334	1158	1416	82	69	20	6.4
M94UWX	94"(16:10)	2192	2101	2025	2188	62	1441	1265	1523	82	69	20	7.1
M109UWX	109"(16:10)	2514	2424	2348	2511	62	1630	1467	1735	92	80	20	9.2
M128UWX	128"(16:10)	2923	2833	2757	2919	62	1899	1723	1991	92	80	20	13.1
M139UWX	139"(16:10)	3160	3070	2994	3156	62	2047	1871	2139	92	80	20	15

Measurements are intended as a reference only and are subject to change without notice. Note: Data Error  $\pm 1$ "

Unit: Inches													
Models	Diagonal Size (Aspect Ratio)	Case Length (A)	Screen Width (A1)	View Width (A2)	Weight Bar Length (A3)	Bottom Edge Distance (B4)	Screen Material to Weight Bar Height (B3)	View Height (B1)	Overall Height (B)	End cap Height (B5)	End cap Width (C)	Distance from screen material to the wall (C1)	N.W. (LBS)
M80UWH	80"(16:9)	76.1	72.6	69.6	75.9	1.6	46.5	39.6	49.1	3.2	2.7	0.8	6.85
M84UWH	84"(16:9)	79.3	76.2	73.2	79.1	2.4	48.1	41.2	51.3	3.2	2.7	0.8	13.6
M84H-E30	84"(16:9)	79.3	76.2	73.2	79.1	2.4	73.6	41.2	76.9	3.2	2.7	0.8	14.7
M92UWH	92"(16:9)	85.3	83.2	80.2	85.1	2.4	52.0	45.1	55.3	3.2	2.7	0.8	15.6
M100UWH	100"(16:9)	93.5	90.2	87.2	93.3	2.4	55.9	49.0	59.2	3.2	2.7	0.8	20.0
M100H-E24	100"(16:9)	93.5	90.2	87.2	93.3	2.4	75.5	49.0	78.7	3.2	2.7	0.8	20.0
M106UWH	106"(16:9)	98.7	95.4	92.4	98.5	2.4	58.9	52.0	62.5	3.6	3.1	0.8	20.6
M106UWH-E24	106"(16:9)	98.7	95.4	92.4	98.5	2.4	78.5	52.0	82.0	3.6	3.1	0.8	21.0
M120H	120"(16:9)	110.9	107.6	104.6	110.7	2.4	65.7	58.8	69.4	3.6	3.1	0.8	23.3
M120H-E24	120"(16:9)	110.9	107.6	104.6	110.7	2.4	85.3	58.8	88.9	3.6	3.1	0.8	24.2
M135H	135"(16:9)	123.9	120.7	117.7	123.8	2.4	73.1	66.2	77.2	4.1	3.5	0.8	31.0
M150H	150"(16:9)	137.2	133.7	130.7	137.0	2.4	80.5	73.5	84.6	4.1	3.5	0.8	35.8
M80NWV	80"(4:3)	70.3	67.0	64.0	70.2	2.4	54.9	48.0	58.1	3.2	2.7	0.8	12.4
M84NWV	84"(4:3)	73.5	70.2	67.2	73.3	2.4	55.8	50.4	59.1	3.2	2.7	0.8	12.7
M100V	100"(4:3)	85.3	83.0	80.0	85.1	2.4	66.9	60.0	70.2	3.2	2.7	0.8	16.4
M120V	120"(4:3)	102.3	99.0	96.0	102.1	2.4	78.9	72.0	82.6	3.6	3.1	0.8	22.0
M135V	135"(4:3)	114.4	111.0	108.0	114.3	2.4	87.9	81.0	92.0	4.1	3.5	0.8	31.2
M150V	150"(4:3)	126.5	123.0	120.0	126.3	2.4	96.9	90.0	101.1	4.1	3.5	0.8	35.4
M71S	71"(1:1)	56.1	53.2	50.2	55.9	2.4	57.1	50.2	60.4	3.2	2.7	0.8	10.1
M85S	85"(1:1)	66.0	63.1	60.1	65.9	2.4	67.0	60.1	70.3	3.2	2.7	0.8	12.3
M99S	99"(1:1)	76.3	73.0	70.0	76.1	2.4	75.4	70.0	79.1	3.6	3.1	0.8	16.7
M113S	113"(1:1)	86.3	82.9	79.9	86.1	2.4	86.9	79.9	90.5	3.6	3.1	0.8	19.3
M119S	119"(1:1)	90.3	87.0	84.0	90.2	2.4	90.6	84.1	94.2	3.6	3.1	0.8	21.0
M136S	136"(1:1)	102.3	99.2	96.2	102.1	2.4	103.1	96.2	106.7	3.6	3.1	0.8	23.8
M170S	170"(1:1)	127.7	123.0	120.0	127.6	2.4	126.9	120.0	131.1	4.1	3.5	0.8	35.6
M86UWX	86"(16:10)	79.4	75.9	72.9	79.3	2.4	52.5	45.6	55.7	3.2	2.7	0.8	14.1
M94UWX	94"(16:10)	86.3	82.7	79.7	86.1	2.4	56.7	49.8	60.0	3.2	2.7	0.8	15.7
M109UWX	109"(16:10)	99.0	95.4	92.4	98.9	2.4	64.2	57.8	68.3	3.6	3.1	0.8	20.2
M128UWX	128"(16:10)	115.1	111.5	108.5	114.9	2.4	74.8	67.8	78.4	3.6	3.1	0.8	28.8
M139UWX	139"(16:10)	124.4	120.9	117.9	124.3	2.4	80.6	73.7	84.2	3.6	3.1	0.8	33.0

Measurements are intended as a reference only and are subject to change without notice. Note: Data Error  $\pm 1''$



# Warranty Policy

- **Two (2) Year** parts and labor warranty from defects in workmanship from purchase date as follows (except for refurbished units as specified below).
- **Three (3) Year** parts and labor warranty from defects in workmanship for **GEMR** (Government, Educational, Military, & Religious) purchases of new product only.
- **Refurbished Units** carry a **90-DAY** parts and labor warranty.
- Each party will be responsible for one way shipping during the warranty period.
- A **RMA (Return Merchandise Authorization) number** must be issued in order to process a replacement or to authorize a return for warranty repair. Elite Screens will, at its sole option replace or repair the defective unit with a replacement \*(see exceptions below) after the defective unit or parts have been received. Once the product is received, Elite Screens will send out a replacement \*unit to the customer by ground service (subject to inventory availability).
- **Do Not Return Any Unauthorized Items to Elite Screens, as they will be refused and returned at your expense. The RMA Number must be included on the outside label of your shipping box. Our warehouse is not authorized to accept returns without an RMA number on the shipping label.**
- **RMA Numbers are valid for 45 days from the date issued.**
- **Missing Parts** must be reported within 7 days of receipt. If reported after 7 days, the customer will be responsible for shipping and handling fees. If reported after 30 days of receipt, the customer will be responsible for cost of parts and shipping & handling fees.

\*A New or refurbished replacement will be send out to the customer depending on the type of purchase (new or refurbished) and based on stock availability.

## North America only U.S. and Canada

For Warranty and Service requests, please submit an RMA/Service Form at:  
[www.elitescreens.com/warrantysupportform](http://www.elitescreens.com/warrantysupportform)

Please visit this link for full Warranty information:  
[www.elitescreens.com/warranty](http://www.elitescreens.com/warranty)

For Customer Service and Technical questions, please contact Elite Screens at:  
Telephone: (877) 511-1211 [service@elitescreens.com](mailto:service@elitescreens.com)  
Fax: (562) 926-8433 [techsupport@elitescreens.com](mailto:techsupport@elitescreens.com)

REMEMBER TO REGISTER YOUR PRODUCT AT:

[WWW.ELITESCREENS.COM](http://WWW.ELITESCREENS.COM)



# Contact Info

US & Canada Tech Support & Warranty Claim

Please contact us at [service@elitescreens.com](mailto:service@elitescreens.com) or call +1 877-511-1211 #3 or fax +1-562-926-8433

Europe Tech Support & Warranty Claim

Please contact us at [service@elitescreens.eu](mailto:service@elitescreens.eu) or call +49-(0) 40-30392958

Asia Tech Support & Warranty Claim

Please contact us at [service@elitescreens.com.cn](mailto:service@elitescreens.com.cn) or call +86-(0) 755-8461-7989

Taiwan Tech Support & Warranty Claim

Please contact us at [service@elitescreens.com.tw](mailto:service@elitescreens.com.tw) or call +866+2+8990-1999

## America:

### Elite Screens Inc

16410 Manning Way  
Cerritos, CA 90703 USA  
Tel: +1-877-511-1211  
Fax: +1-562-926-8433  
[info@elitescreens.com](mailto:info@elitescreens.com)  
[www.elitescreens.com](http://www.elitescreens.com)

## Asia:

### Elite Screens China Corp.

Longxi Duimianling Industry Zone  
Longcheng Longgang District,  
ShenZhen Guangdong, China  
Tel: +86-(0)755-8461-7989  
Fax: +86-(0)755-8461-7669  
[info@elitescreens.com.cn](mailto:info@elitescreens.com.cn)  
[www.elitescreens.com.cn](http://www.elitescreens.com.cn)

## Taiwan:

### Elite Screens Taiwan Corp.

4F., No. 42-1 Wuguan Rd. Wugu Township Taipei  
County 248, Taiwan (Wugu Industrial Park)  
Taiwan (R.O.C)  
Tel: +886+2+8990-1999  
Fax: +886+2+8990+1366  
[info@elitescreens.com.tw](mailto:info@elitescreens.com.tw)  
[www.elitescreens.com.tw](http://www.elitescreens.com.tw)

## Europe:

### Elite Screens Europe

Lübecker Straße 1  
22087 Hamburg, Germany  
Tel: +49-4030392494  
Fax: +49-40-49219200  
[info@elitescreens.eu](mailto:info@elitescreens.eu)  
[www.elitescreens.eu](http://www.elitescreens.eu)

## Elite Screens France S.A.S

11, Allée William Penn  
92150 Suresnes, France  
Tel: +33-1-45064735  
Fax: +33-1-45064735  
[info.fr@elitescreens.com](mailto:info.fr@elitescreens.com)  
[www.elitescreens.com/fr](http://www.elitescreens.com/fr)

## Japan:

### Elite Screens Japan Corp.

467-2-606 Tsuruma, Machida-shi,  
Tokyo, 194-0004 Japan  
Tel: 0120-07-0008  
Fax: +81(0)42-706-9130  
[info@elitescreens.jp](mailto:info@elitescreens.jp)  
[www.elitescreens.jp](http://www.elitescreens.jp)

## Latin America Contact:

[Info.la@elitescreens.com](mailto:Info.la@elitescreens.com)

## East Asia Contact:

[Info.ea@elitescreens.com](mailto:Info.ea@elitescreens.com)

## India Contact:

[Info.ea@elitescreens.com](mailto:Info.ea@elitescreens.com)