

Viewmaster Motorised Roller Screen

The entry level motorised projection screen where space and budget are at a premium, using a slim profile head box and a seamless matt white fibreglass surface.

BENEFITS

Slimline design

Cost efficient

Reliability

Quiet running

APPLICATIONS

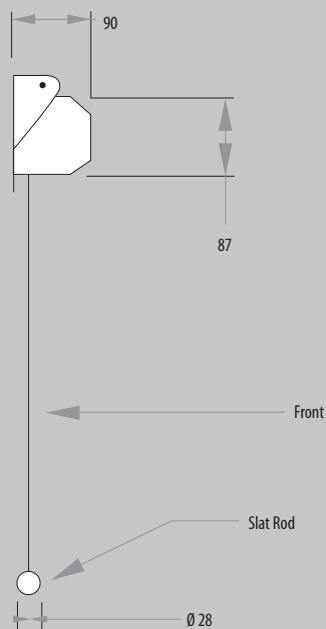
Boardroom Presentations

Educational & Training

Home Theatre



Viewmaster Motorised Roller Screen



PRODUCT FEATURES

Black powder coated steel head box

Supplied with 300 mm top black leader

Includes wall hanging brackets as standard

Whisper quiet motor

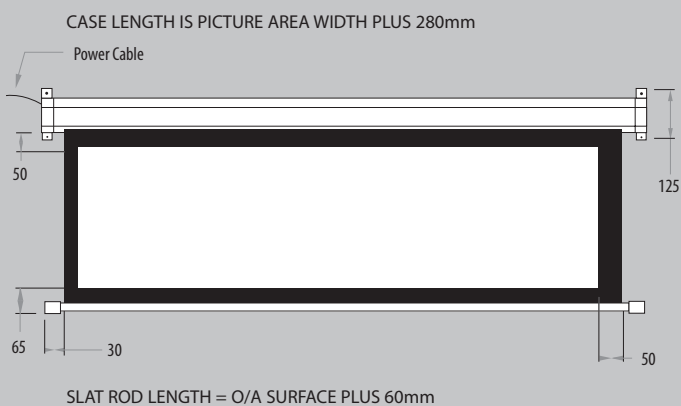
Motor C  approved

Seamless matt white fibreglass surface

Comes with 2.5mt lead and 4 core electrical kit

3 position rotary wall switch included

Quality Assurance AS/NZS ISO 9001:2000



VIEWMASTER

Item No.	Picture (mm)	Format
4508419	1280 x 1705	4:3
4510019	1525 x 2035	4:3
4508429	1045 x 1860	16:9
4510029	1245 x 2215	16:9

www.screentechnics.com.au

