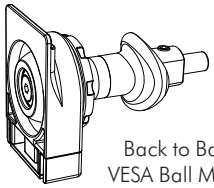


Installation Instructions

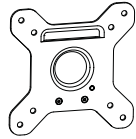
spacedec

Display | POS Multi Back to Back

Component Checklist (Check you have received all parts against the Component Checklist below)



Back to Back
VESA Ball Mount



VESA plate (x1)



Tightening Tool (x1)

Hardware

M4x10mm Screws (x4)



3mm Allen Key

M4x12mm Screws (x4)



2mm Allen Key

M4x16mm Screws (x4)



Security Screw (x1)

Step 1. Preparation

Choose from one of the following options:

A. New POS Multi Back to Back Installation

Prior to installing a **new** POS Multi Back to Back Assembly, you will need to:

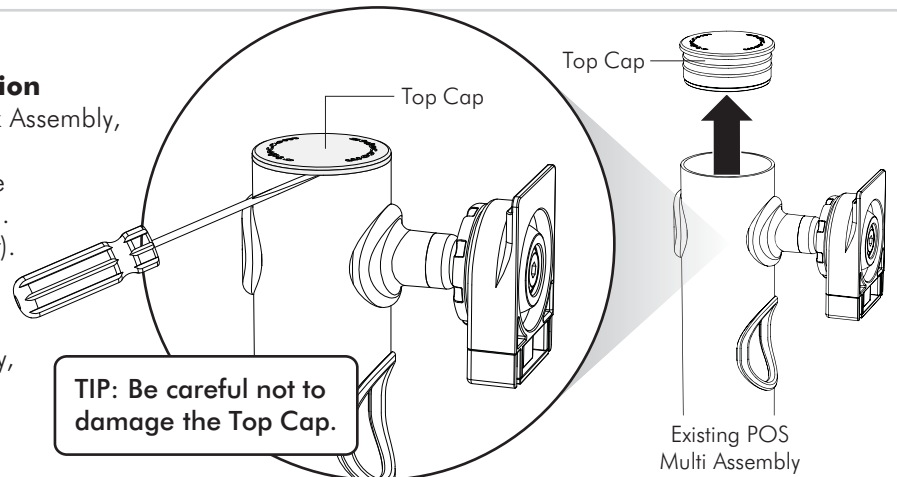
- Install a POS Multi product to the work surface (refer to the POS Multi Installation Instructions).
- Remove the Top Cap (use a small screw driver).

OR

B. Back to Back Conversion

Prior to converting an **existing** POS Multi Assembly, you will need to:

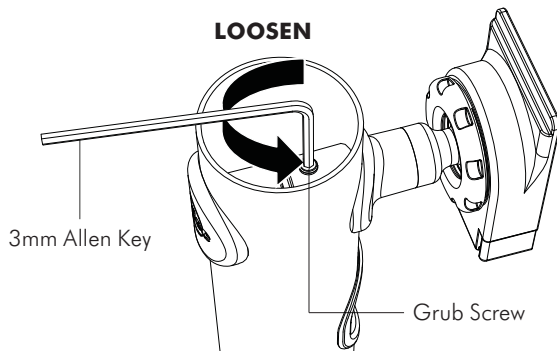
- Remove the existing Display (TV/Monitor).
- Remove the Top Cap (use a small screw driver).



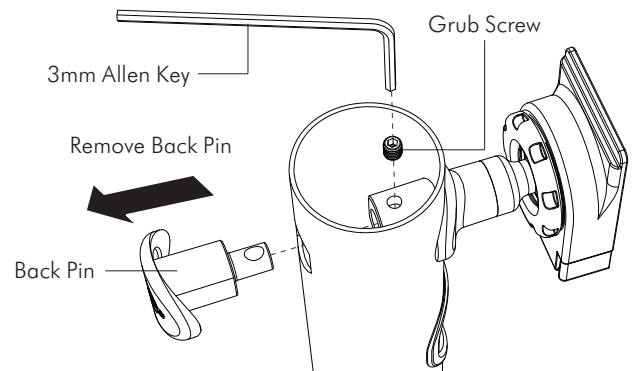
Step 2. Undo and Remove Back Pin

Using the 3mm Allen Key, undo the Grub Screw

NOTE: This will be very tight

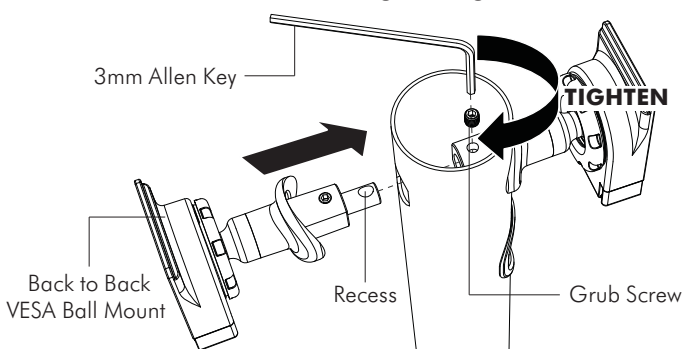


Remove the Back Pin but keep the Grub Screw for use later on.

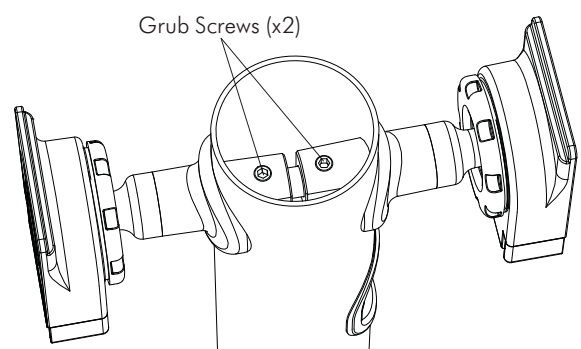


Step 3. Install Back to Back VESA Ball Mount

Use the Grub Screw to Install the Back to Back VESA Ball Mount. Ensure the Recess (shown) lines up with the Grub Screw before tightening.

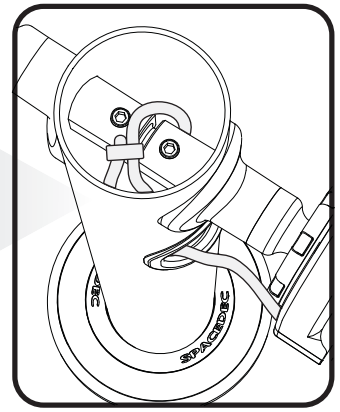
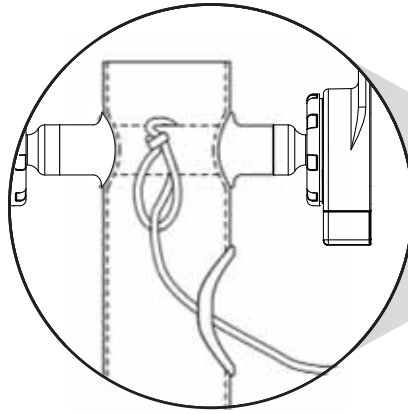


Ensure both Grub Screws are tightened as firmly as possible.

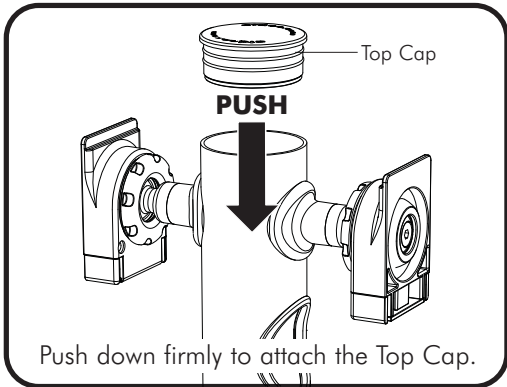


Step 4. (Optional) Install Monitor Security Cable (Security Cable NOT Included)

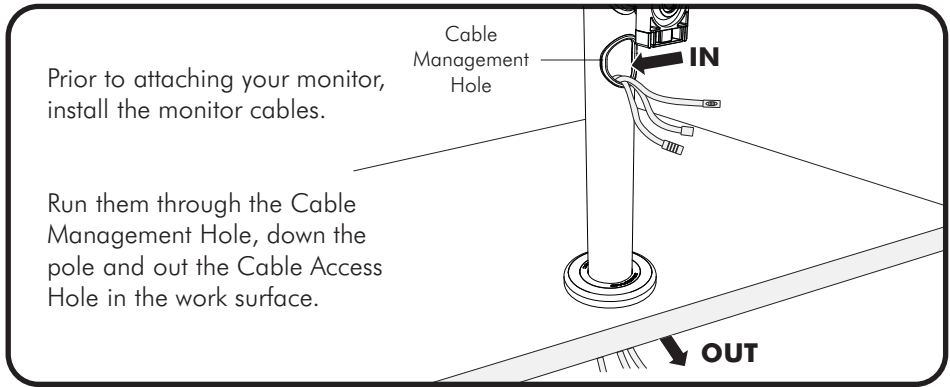
- A.** Loop the Security Cable (Kensington or similar) around the internal post of the POS Assembly.
- B.** Feed the other end of the cable through the POS Assembly and out the Cable Management Hole.
- C.** After you have attached the monitor (as directed in **Step 8**) install the lock to the monitor as per the manufacturer guidelines.



Step 5. Install Top Cap



Step 6. Install Monitor Cables

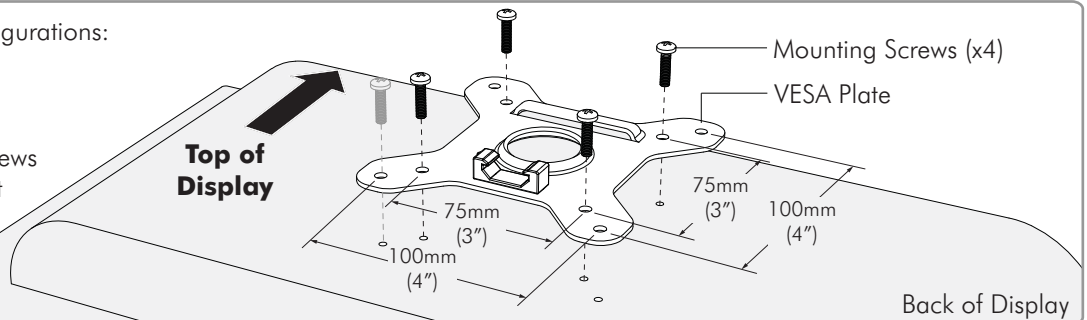


Step 7. Attach the VESA plate to your Display

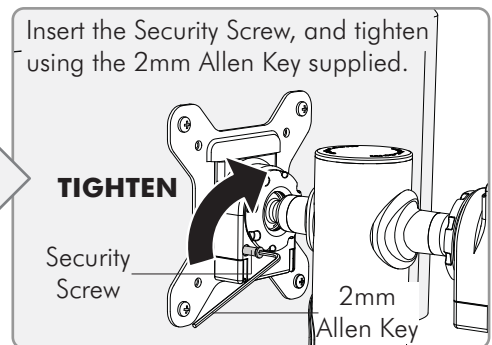
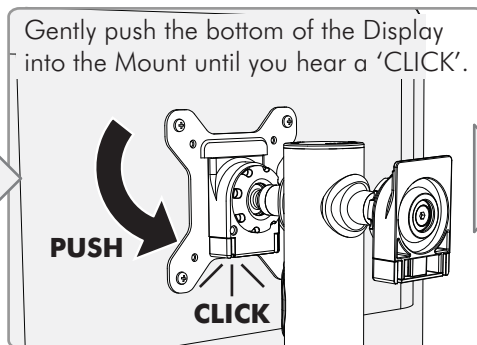
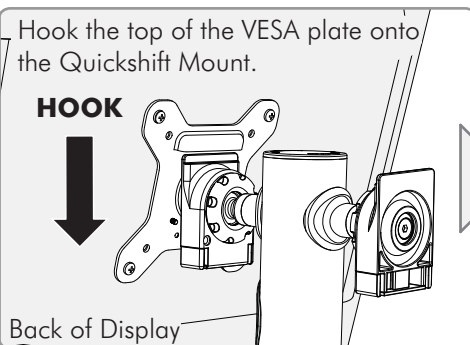
There are two mounting hole configurations:

- 75 x 75mm
- 100 x 100mm

Choose appropriate Mounting Screws from the Hardware supplied to suit your Display.



Step 8. Attach your Display to the POS Multi Assembly (Repeat for both Displays)

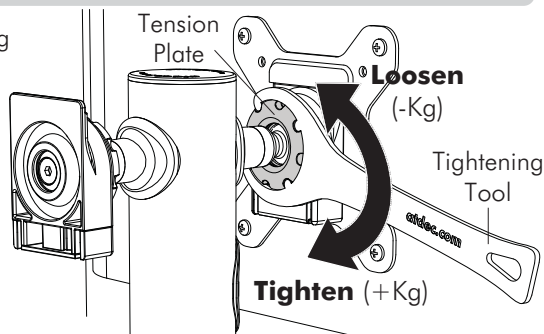


Step 9. Adjust the VESA Ball Mount

Position your Display to the desired viewing angle, using the 40° angular movement allowed by the VESA Ball Mount.

If the display does not hold its position, or is too resistant, adjust the Tension Plate (see diagram right).

To make any adjustments, use the Tightening Tool supplied.



Advanced Security Installation

These Installation Instructions secure the POS Multi using the provided fasteners from above the work surface.

For advanced Security Installation from below the work surface. Please refer to the *Advanced Security Installation Addendum*.

