

Desk Stand for Dual Monitors

ARMBARDUO



*actual product may vary from photos

FR: Guide de l'utilisateur - fr.startech.com

DE: Bedienungsanleitung - de.startech.com

ES: Guía del usuario - es.startech.com

NL: Gebruiksaanwijzing - nl.startech.com

PT: Guia do usuário - pt.startech.com

IT: Guida per l'uso - it.startech.com

For the latest information, technical specifications, and support for this product, please visit www.startech.com/ARMBARDUO.


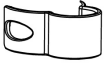








Table of Contents

Introduction	1
Packaging content	1
Product diagram	2
Rear view	2
Assembly	3
Assemble the base	3
Attach the crossbar	4
Attach the monitors	5
Route the cables	7
Technical support	9
Warranty information	9

Introduction

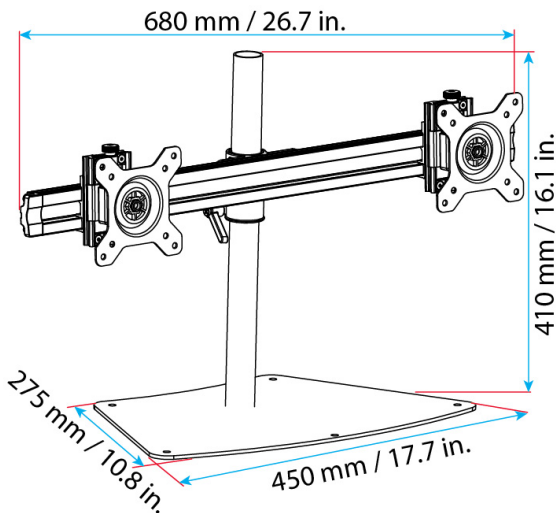
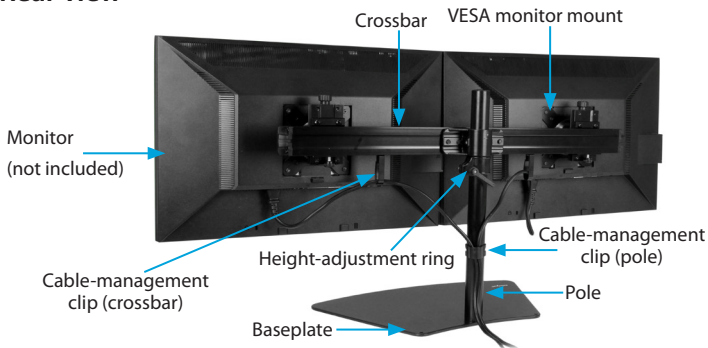
Use the ARMBARDUO to mount two LCD or LED monitors up to 24 inches in size on a single base and save space. The included cable-management clips make it easy to route your cables and help to keep your area clear of cables.

Packaging content

1  Pole Qty: One	2  Baseplate Qty: One	3  M6x15 mm screws Qty: Three	4  Cable-management clip (pole) Qty: One
5  Pole cap Qty: One	6  Height-adjustment ring Qty: One	7  Crossbar Qty: One	8  VESA monitor mounts Qty: Two
9  M4x12 mm screws Qty: Eight	10  M4x30 mm screws Qty: Eight	11  Plastic spacers Qty: Eight	12  M3 Allen key Qty: One
13  M4 Allen key Qty: One	14  Cable-management clips (crossbar) Qty: Two	15  Instruction manual Qty: One	

Product diagram

Rear view



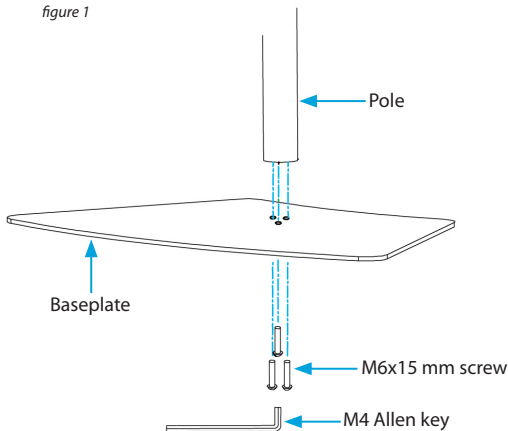
Assembly

Warning! Make sure that all of the hardware is assembled securely and checked for stability before you load the monitors.

Assemble the base

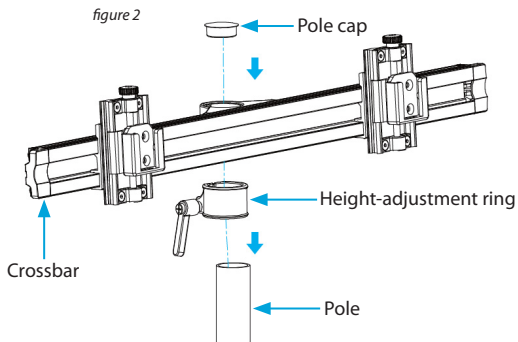
1. Insert the three M6x15 mm screws (3) through the three holes in the baseplate (2) and into the pole (1) (*figure 1*).
2. Use the M4 Allen key (13) and turn the screws clockwise to tighten them.

figure 1

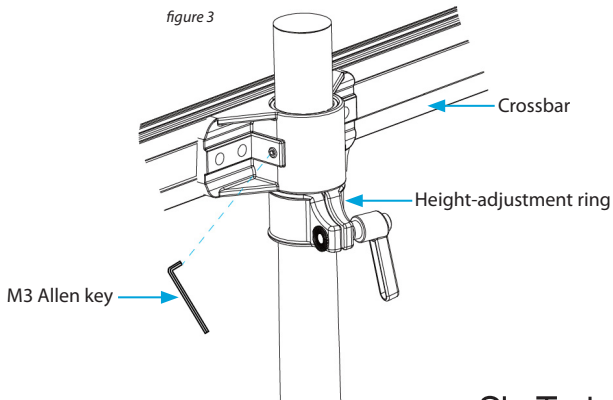


Attach the crossbar

1. Slide the height-adjustment ring (6) down the pole (1) to the height that you want the monitors to be at.
2. Press the lever on the height-adjustment ring to tighten it and prevent it from sliding down the pole.
3. Slide the crossbar (7) down the pole so that it sits on the height-adjustment ring.
4. Push the pole cap (5) down onto the top of the pole (*figure 2*).



5. Use the M3 Allen key (12) and turn the screw in the crossbar clockwise to tighten it and prevent the crossbar from moving (*figure 3*).



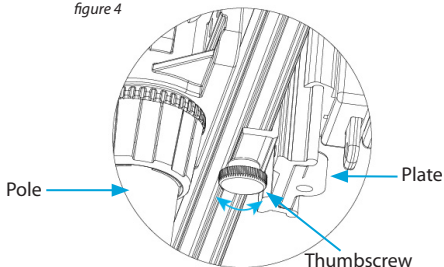
Attach the monitors

Warning! The ARMBARDUO is designed to display two monitors between 15 and 24 inches in size. The maximum weight capacity of the ARMBARDUO is a total of 35.2 lb (16 kg), with each monitor mount able to hold 17.6 lb (8 kg).

To prevent scratching during the installation process, you should handle the surface of the monitors with care.

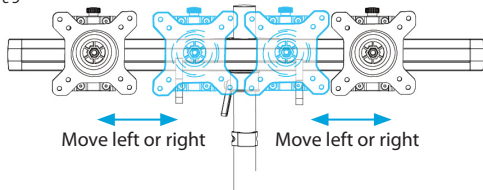
1. To loosen the plates on the crossbar (7), turn the thumbscrews at the bottom of the plates counterclockwise (*figure 4*).

figure 4



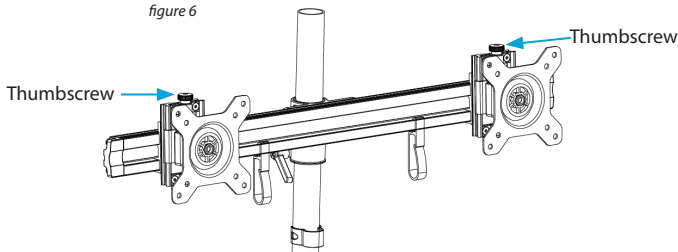
2. Move the plates right and left until they're in the position that you want them to be (*figure 5*).

figure 5



3. To lock the plates in place on the crossbar, turn the thumbscrews at the bottom of the plates clockwise.
4. To move the plates up or down, turn the thumbscrews at the top of the plates counterclockwise or clockwise (*figure 6*).

figure 6



5. Do one of the following:

- To install monitors that have a flush installation surface, insert four of the M4x12 mm screws (9) through the VESA monitor mount (8) and into the mounting holes on the back of the monitor. Use a Phillips screwdriver to tighten the screws (figure 7).
- To install monitors that have a recessed installation surface, insert four of the M4x30 mm screws (10) through the VESA monitor mount (8), into four of the plastic spacers (11), and into the mounting holes on the back of the monitor. Use a Phillips screwdriver to tighten the screws (figure 8).

figure 7

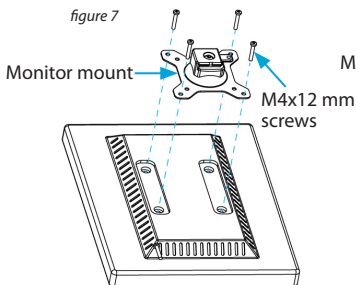
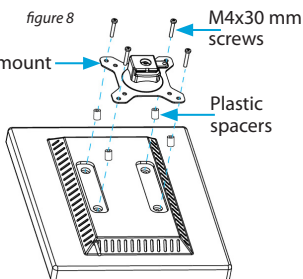


figure 8

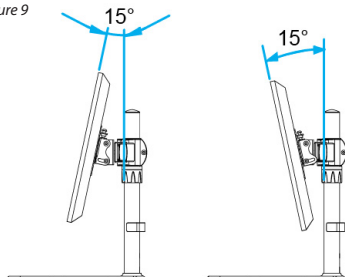


6. Slide each of the VESA monitor mounts onto the plates on the crossbar.

7. Turn the screw on the side of each of the VESA monitor mounts clockwise to tighten the VESA monitor mounts in place.

8. If necessary, you can tilt the monitors 15 degrees forwards or backwards to achieve the best viewing angle (figure 9).

figure 9



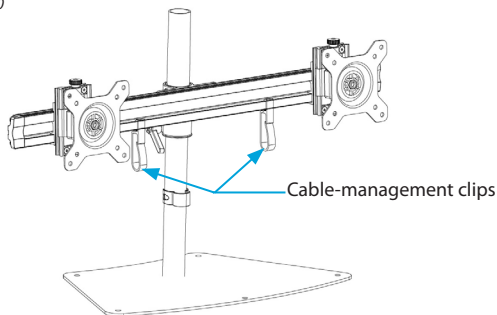
Route the cables

The ARMBARDUO comes with cable-management clips that you can use to direct the monitor cables along the crossbar and down the pole so that they are out of your way.

Make sure that the cables that you're routing are unplugged before you complete the following steps.

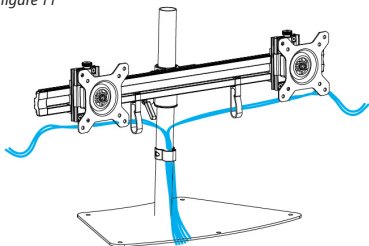
1. Attach the two cable-management clips (crossbar) (14) from the crossbar (7) (figure 10). If necessary, you can move the cable-management clips right or left along the crossbar.

figure 10



2. Run the cable coming from each of the monitors through the corresponding cable-management clips (crossbar) (figure 11).

figure 11



3. Hold the cables against the pole and snap the cable-management clip (pole) (4) over the cables and onto the pole. You can place the cable management clip on the front or the back of the pole, depending on your preference.

Technical support

StarTech.com's lifetime technical support is an integral part of our commitment to provide industry-leading solutions. If you ever need help with your product, visit www.startech.com/support and access our comprehensive selection of online tools, documentation, and downloads.

For the latest drivers/software, please visit www.startech.com/downloads

Warranty information

This product is backed by a two-year warranty.

StarTech.com warrants its products against defects in materials and workmanship for the periods noted, following the initial date of purchase. During this period, the products may be returned for repair, or replacement with equivalent products at our discretion. The warranty covers parts and labor costs only. StarTech.com does not warrant its products from defects or damages arising from misuse, abuse, alteration, or normal wear and tear.

Limitation of Liability

In no event shall the liability of StarTech.com Ltd. and StarTech.com USA LLP (or their officers, directors, employees or agents) for any damages (whether direct or indirect, special, punitive, incidental, consequential, or otherwise), loss of profits, loss of business, or any pecuniary loss, arising out of or related to the use of the product exceed the actual price paid for the product. Some states do not allow the exclusion or limitation of incidental or consequential damages. If such laws apply, the limitations or exclusions contained in this statement may not apply to you.

Use of Trademarks, Registered Trademarks, and other Protected Names and Symbols

This manual may make reference to trademarks, registered trademarks, and other protected names and/or symbols of third-party companies not related in any way to StarTech.com. Where they occur these references are for illustrative purposes only and do not represent an endorsement of a product or service by StarTech.com, or an endorsement of the product(s) to which this manual applies by the third-party company in question. Regardless of any direct acknowledgement elsewhere in the body of this document, StarTech.com hereby acknowledges that all trademarks, registered trademarks, service marks, and other protected names and/or symbols contained in this manual and related documents are the property of their respective holders.

Hard-to-find made easy. At StarTech.com, that isn't a slogan. It's a promise.

StarTech.com is your one-stop source for every connectivity part you need. From the latest technology to legacy products — and all the parts that bridge the old and new — we can help you find the parts that connect your solutions.

We make it easy to locate the parts, and we quickly deliver them wherever they need to go. Just talk to one of our tech advisors or visit our website. You'll be connected to the products you need in no time.

Visit www.startech.com for complete information on all StarTech.com products and to access exclusive resources and time-saving tools.

StarTech.com is an ISO 9001 Registered manufacturer of connectivity and technology parts. StarTech.com was founded in 1985 and has operations in the United States, Canada, the United Kingdom and Taiwan servicing a worldwide market.