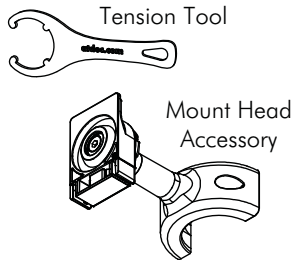
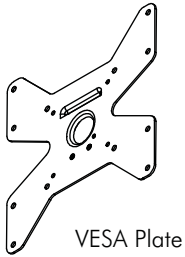
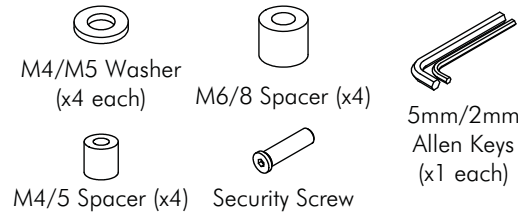


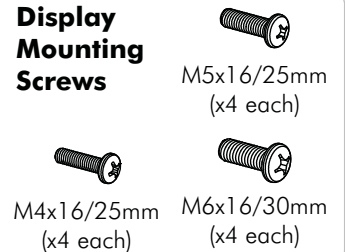
## Component Checklist



### Hardware



### Display Mounting Screws



## IMPORTANT INFORMATION:

**! IMPORTANT - Install Telehook 1040 Back to Back Accessory as per Installation Instructions.**

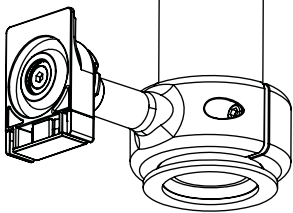
! This product is to be installed in conjunction with TH-1040-CTS and TH-1040-CTL Ceiling Mounts only.

! The manufacturer accepts no responsibility for incorrect installation.

## Step 1. Check Components

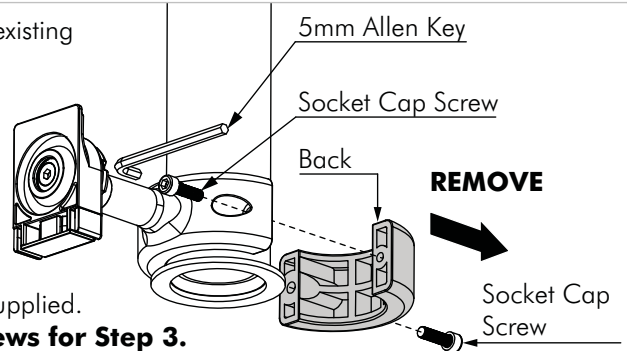
Check you have received all parts against the Component Checklist and Hardware above.

## Step 2. Remove Back of Existing Mount Head



Fully installed TH-1040-CTS or TH-1040-CTL (VESA Plate removed).

Remove back half of the existing Mount Head by removing Socket Cap Screws (x2).

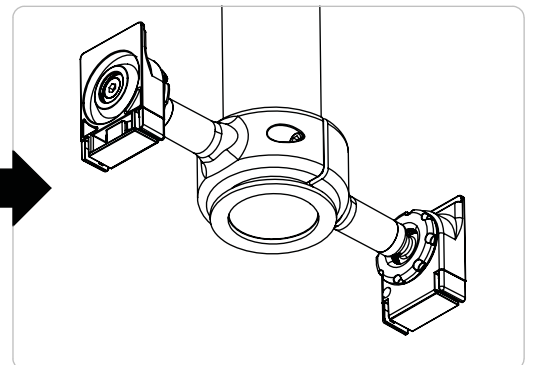
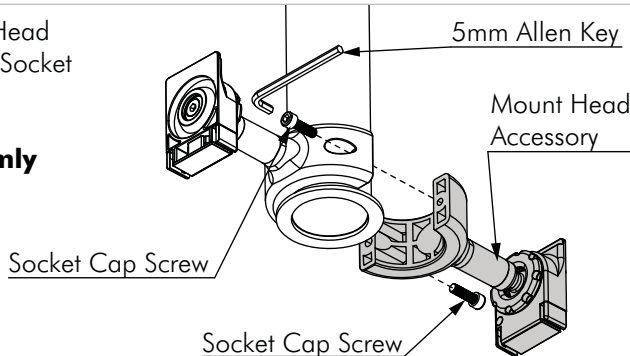


Use the 5mm Allen Key supplied.  
**Keep Socket Cap Screws for Step 3.**

## Step 3. Install Mount Head Accessory

Attach the Mount Head Accessory with the Socket Cap Screws (x2).

Tighten screws **firmly** and **equally**.



## Installation Complete

Refer to TH-1040-CTS/TH-1040-CTL Installation Instructions, Step 8. Attach VESA Plate to Display.

