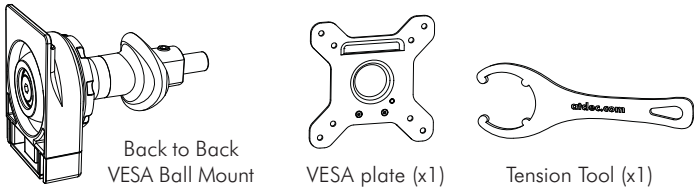








Component Checklist (Check you have received all parts against the Component Checklist below)



Hardware

	M4x10mm Screws (x4)		3mm Allen Key
	M4x12mm Screws (x4)		2mm Allen Key
	M4x16mm Screws (x4)		Security Screw (x1)

Step 1. Preparation

Choose from one of the following options:

A. New POS Height Adjustable Back to Back Installation

Prior to installing a **new** POS Height Adjustable Back to Back Assembly, you will need to:

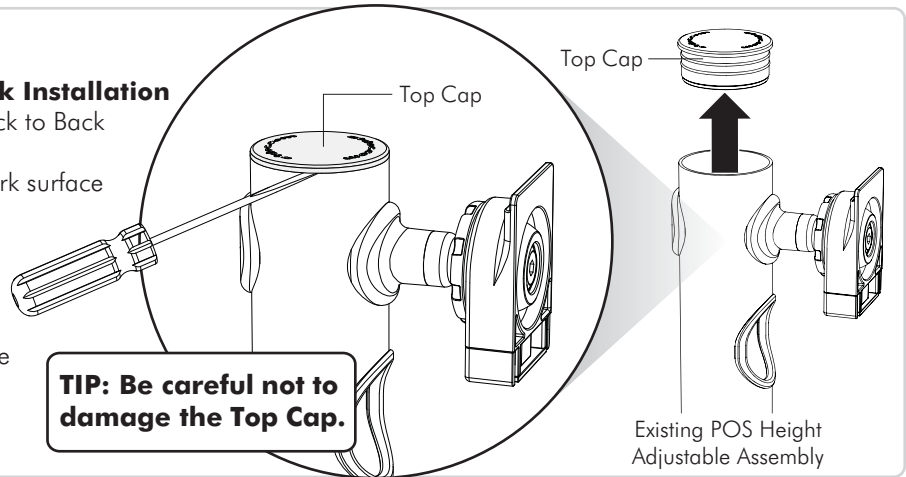
- Install a POS Height Adjustable product to the work surface (refer to the SD-POS-HA Installation Instructions).
- Remove the Top Cap (use a small screw driver).

OR

B. Back to Back Conversion

Prior to converting an **existing** POS Height Adjustable Assembly, you will need to:

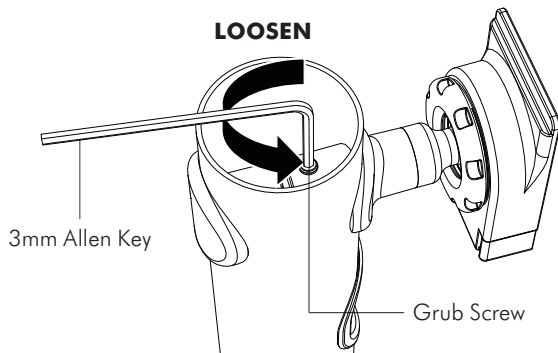
- Remove the existing Display (TV/Monitor).
- Remove the Top Cap (use a small screw driver).



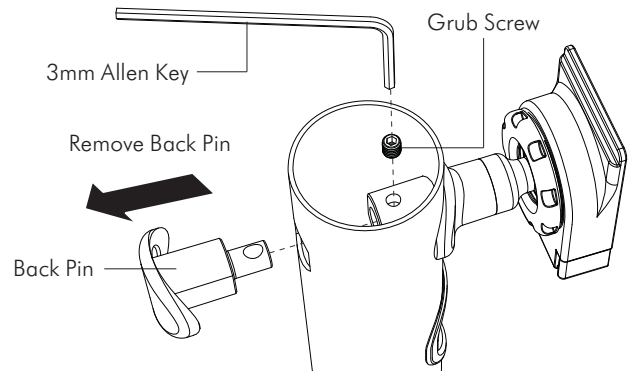
Step 2. Undo and Remove Back Pin

Using the 3mm Allen Key, undo the Grub Screw

NOTE: This will be very tight

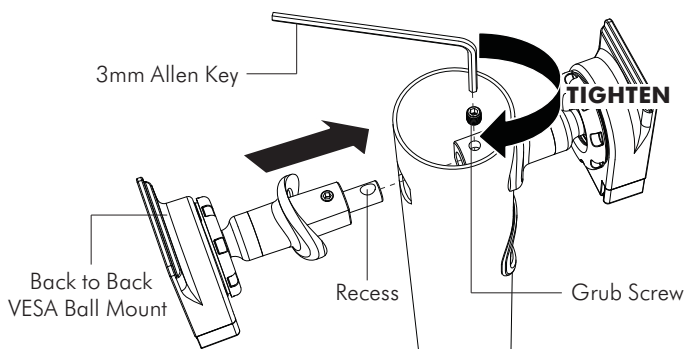


Remove the Back Pin but keep the Grub Screw for use later on.

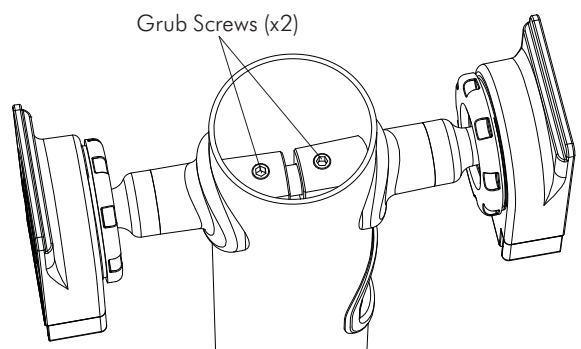


Step 3. Install Back to Back VESA Ball Mount

Use the Grub Screw to Install the Back to Back VESA Ball Mount. Ensure the Recess (shown) lines up with the Grub Screw before tightening.

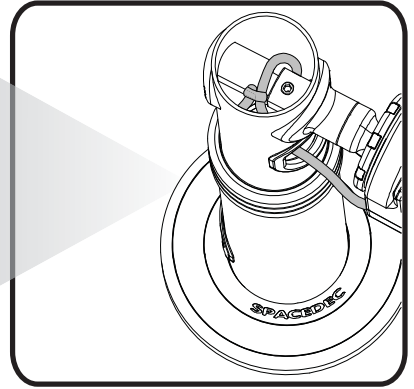
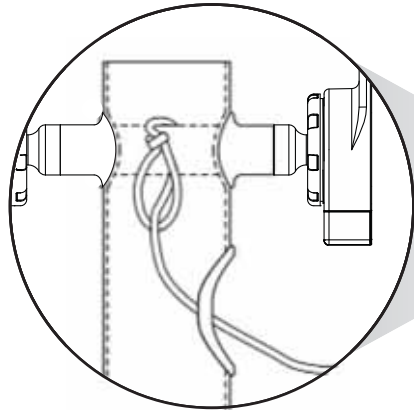


Ensure both Grub Screws are tightened as firmly as possible.

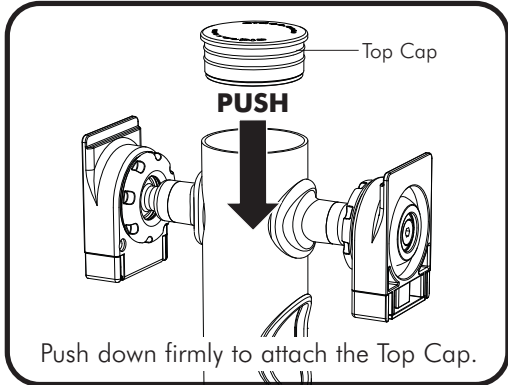


Step 4. (Optional) Install Monitor Security Cable (Security Cable NOT Included)

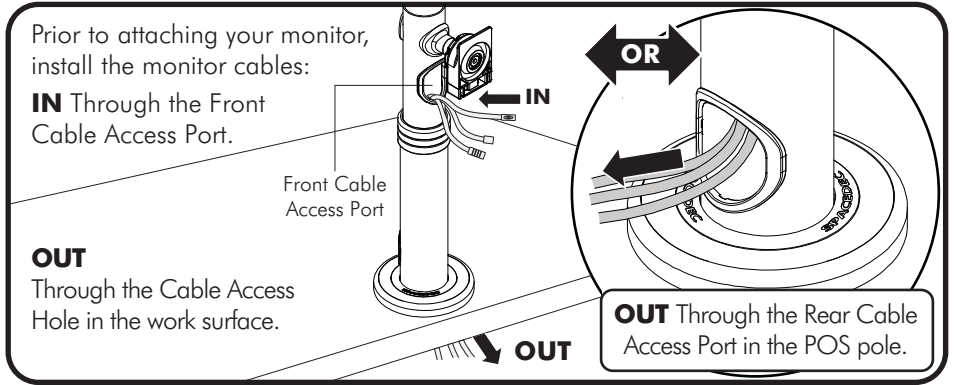
- A.** Loop the Security Cable (Kensington or similar) around the internal post of the POS Height Adjustable Assembly.
- B.** Feed the other end of the cable through the POS Assembly and out the Front Cable Access Port.
- C.** After you have attached the monitor (as directed in **Step 8**) install the lock to the monitor as per the manufacturer guidelines.



Step 5. Install Top Cap



Step 6. Install Monitor Cables

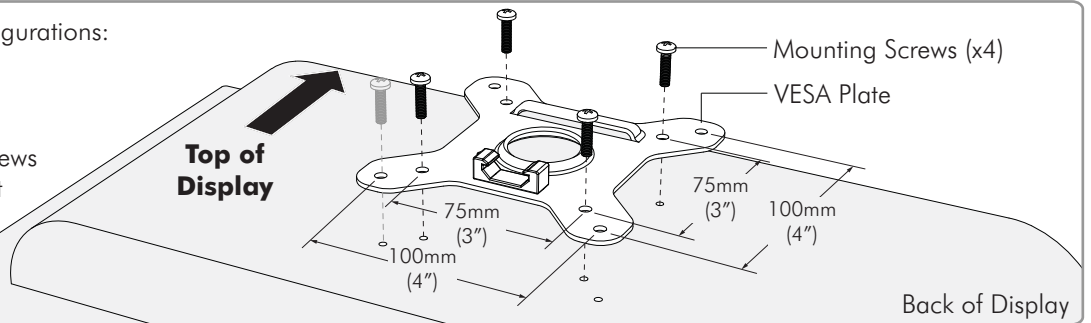


Step 7. Attach the VESA plate to your Display

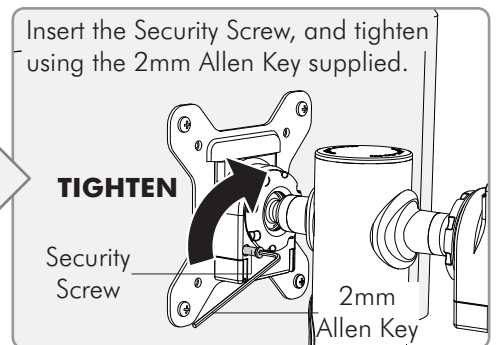
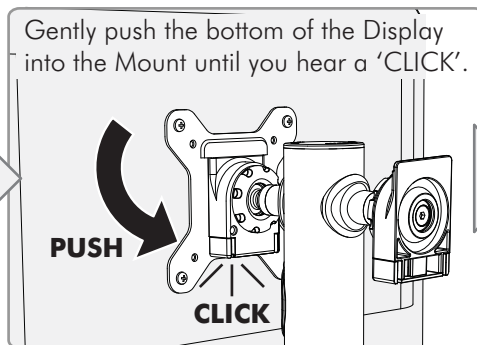
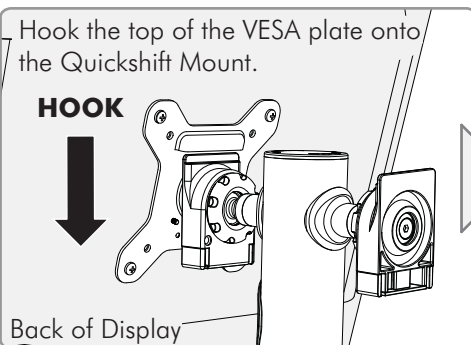
There are two mounting hole configurations:

- 75 x 75mm
- 100 x 100mm

Choose appropriate Mounting Screws from the Hardware supplied to suit your Display.



Step 8. Attach your Display to the POS Assembly (Repeat for both Displays)

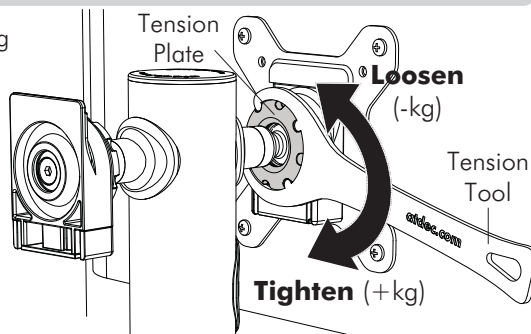


Step 9. Adjust the VESA Ball Mount

Position your Display at the desired viewing angle (20° in any direction), allowed by the VESA Ball Mount.

If the display does not hold its position, or is too resistant, adjust the Tension Plate (see diagram right).

To make any adjustments, use the Tension Tool supplied.



Advanced Security Installation

These Installation Instructions secure the POS Height Adjustable using the provided fasteners from above the work surface.

For advanced Security Installation from below the work surface. Please refer to the *Advanced Security Installation Addendum*.

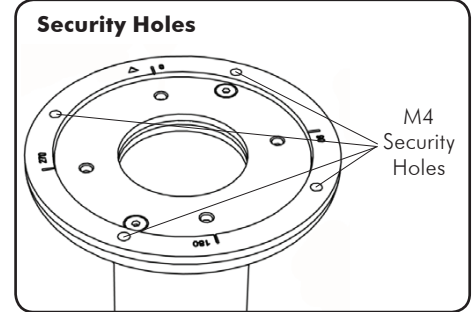
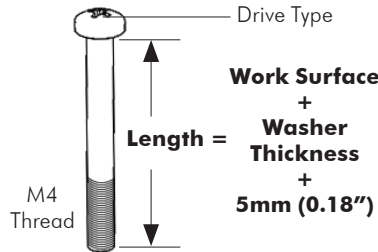


Step 1. Purchase M4 Fasteners

Using the M4 Security Holes, your POS Multi can be secured from beneath the work surface for greater security.

Determine the length of Screw you require using the formula shown, and purchase 4x M4 Screws and Washers, with your chosen drive type.

Screw Length Formula



Step 2. Locate and Secure your POS Multi

- A.** Position the Installation Template in the desired location on your work surface. Ensure the straight edge sits perpendicular with the User's line of sight. Mark the center points of each of the Security Holes, and Cable Access Hole onto the work surface with a pencil.
- B.** Drill 4 x 5mm (0.18") holes through the work surface (**Take care to drill perpendicular to the work surface**). Use a 45mm (1.77") hole saw to drill the Cable Access Hole in the work surface.
- C.** Reposition POS Multi with the "Direction Arrow" pointing in the direction required for your chosen rotation. (Refer to the Mounting Options in POS Multi Installation Instructions) Secure the POS to the Desktop using the purchased M4 fasteners (x4).

NOTE: Return to POS Multi or Back-to-Back Installation Instructions to finish Installation

